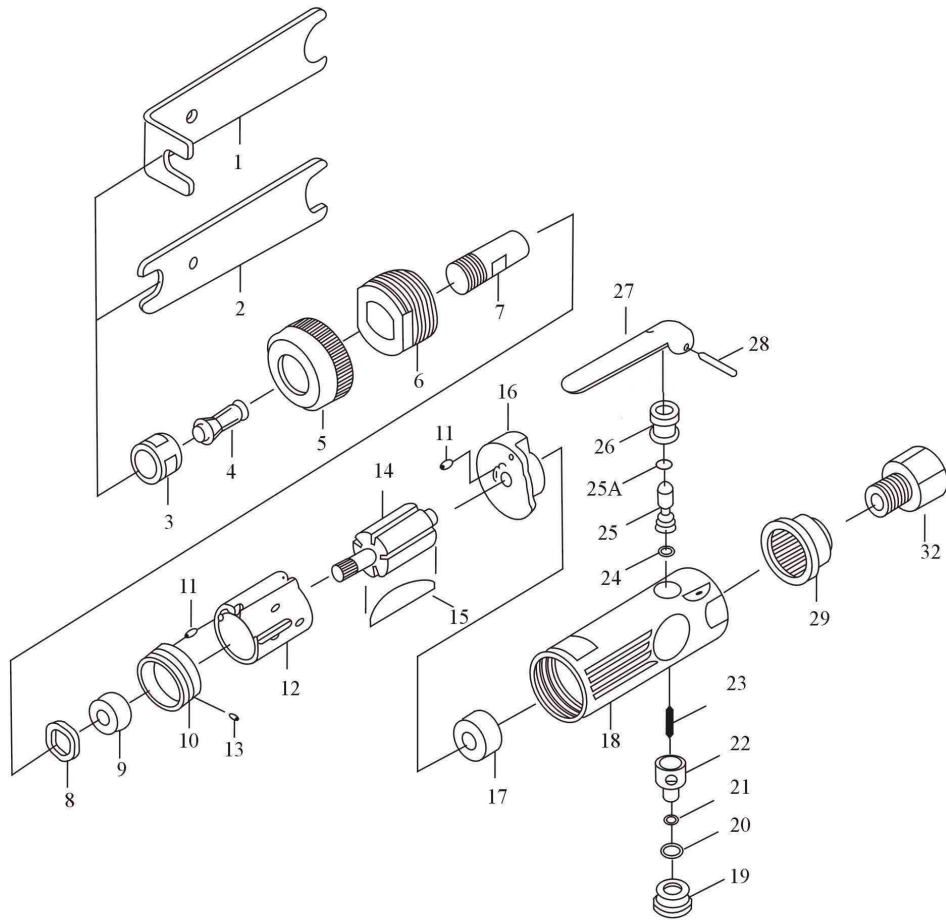


# MEDIUM DIE GRINDER

## UDG-330

CE



INDEX NO.	Parts No.	Description	Q'ty
1	330001	ANGLE ENDED SPANNER	1
2	330002	DOUBLE ENDED SPANNER	1
3	330003	COLLET NUT	1
4	330004A	COLLET (Φ1/4")	1
5	330005	HOUSING CAP	1
6	330006	RETAINER	1
7	330007	SPINDLE	1
8	330008	WASHER	1
9	BB-60002	BALL BEARING (6000zz)	1
10	330C10	FRONT END PLATE	1
11	SP-25060	PIN (Φ2.5x6)	3
12	302026	CYLINDER	1
14	330C14	ROTOR	1
15	302025	ROTOR BLADE	4
16	307020	REAR END PLATE	1

INDEX NO.	Parts No.	Description	Q'ty
17	BB-06262	BALL BEARING (626zz)	1
18	330018	HOUSING	1
19	302040I	VALVE SCREW	1
20	ORP-0120	"O" RING (P12)	1
21	ORP-0070	"O" RING (P7)	1
22	302037	AIR REGULATOR	1
23	301005	SPRING	1
24	302034	"O" RING	1
25	302035I	THROTTLE VALVE	1
25A	ORP-0050	"O" RING (P5)	1
26	302041I	VALVE BUSHING	1
27	307023	THROTTLE LEVER	1
28	SP-30240	THROTTLE PIN (Φ3 x 24)	1
29	330029	EXHAUST DEFFUSER	1
32	315009	INLET BUSHING	1