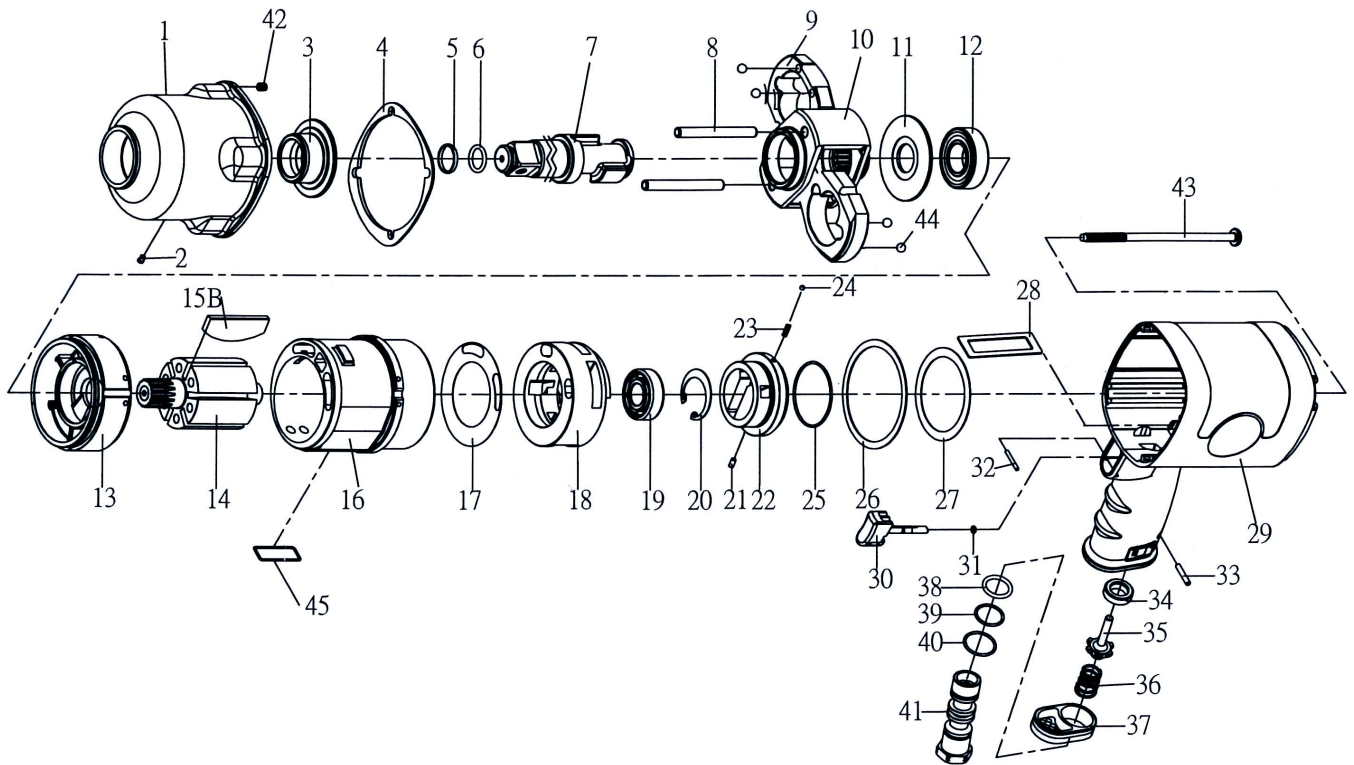


UIW278 & UIW278L 3/4" PROFESSIONAL AIR IMPACT WRENCH



Index No.	Part No.	Description	Q'ty	Index No.	Part No.	Description	Q'ty
1	278F-002C	Hammer Case	1	24	00-3805	Steel Ball	1
2	00-4603	Grease Fitting	1	25	00-4179	O-Ring	1
3	278F-010	Anvil Bushing	1	26	278F-030	Rear Gasket	1
4	278F-020	Front Gasket	1	27	278F-031	Washer	1
5	280-028	Anvil Collar	1	28	278F-019	Air Channel Gasket	1
6	00-4175	O-Ring	1	29	278F-001	Motor Housing	1
7	278D-011A6	Anvil	1	30	305F-024-C	Trigger	1
8	285C-016	Hammer Pin	2	31	00-4101	O-Ring	1
9	278D-017	Hammer	2	32	00-3326	Spring Pin	1
10	278D-012	Hammer Cage	1	33	00-3308	Spring Pin	1
11	278-019-B	Rear Washer	1	34	306-027-B	Bushing	1
12	00-2325	Ball Bearing	1	35	306-026	Valve Stem	1
13	278F-005	Front End Plate	1	36	305F-026-B	Spring	1
14	278F-007	Rotor	1	37	305-021	Exhaust Deflector	1
15B	278H-008D	Rotor Blade	6	38	00-4126	O-Ring	1
16	278F-006-B	Cylinder	1	39	00-4143	O-Ring	1
17	278F-033	Valve Sleeve Gasket	1	40	00-4127	O-Ring	1
18	278F-029	Valve Sleeve	1	41	278F-035B	Air Inlet (3/8" PT-19)	1
19	00-2304	Ball Bearing	1	42	00-4306	Inserts Recoil	4
20	00-3111	Snap Ring	1	43	278F-028	Screw	4
21	00-3345	Spring Pin	1	44	00-3821	Steel Ball	4
22	278F-021	Reverse Valve	1	45	278F-041	Square Ring	1
23	305F-034	Spring	1				