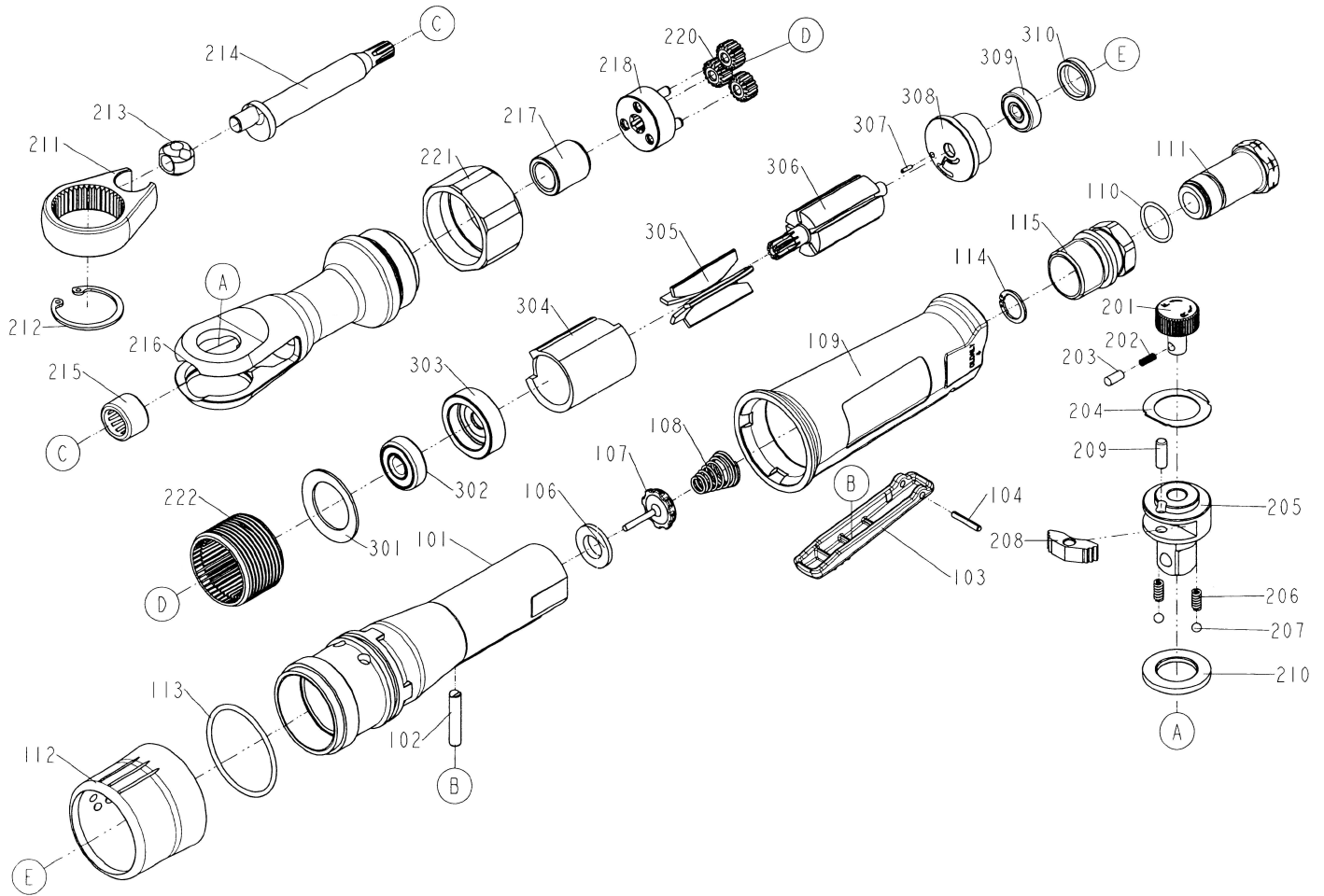


# DIAGRAM OF URW207A



ITEM NO.	PART NO.	DESCRIPTION	ITEM NO.	PART NO.	DESCRIPTION	ITEM NO.	PART NO.	DESCRIPTION
101	12302-1010001-1	MOTOR HOUSING	221	12321-1004701-1	LOCK RING			
102	12305-1000001-1	VALVE PIN	222	1231A-1004701-1	INTERNAL GEAR			
103	12310-1004701-1	THROTTLE LEVER	301	1230J-1004701-1	LOCK WASHER			
104	2040400-04080-0	SPRING PIN	302	2041200-00020-0	BEARING			
106	12319-1004701-1	SEAL	303	12312-1000001-1	FRONT PLATE			
107	12226-1000001-1	TIP VALVE	304	12315-1000001-1	CYLINDER			
108	12308-1000002-1	SPRING	305	12314-1000001-1	BLADE			
109	1230N-1004703-1	HANDLE GRIP	306	12313-1000001-1	ROTOR			
110	2041102-02090-0	O - RING	307	2040400-02030-0	SPRING PIN			
111	12309-1004704-1	AIR INLET	308	12316-1000001-1	REAL PLATE			
112	12352-1004701-1	OUTLET CONTROLLER	309	2041200-00011-0	BEARING			
113	2041102-04050-0	O - RING	310	1230X-1004701-1	HOUSING COVER			
114	2040304-46010-0	EX-CENTRIC RING						
115	12309-1004703-1	AIR INLET						
201	1231H-1004701-1	REVERSE LEVER						
202	1230J-1000002-1	REVERSE SPRING						
203	1230B-1004701-1	REVERSE PIN						
204	12340-1004701-1	ANVIL WASHER						
205	1231F-1004701-1	ANVIL						
206	1230J-1000001-1	THRUST WASHER SPRING						
207	2040800-02010-0	BALL						
208	1231G-1000001-1	RATCHET PAWL						
209	1230B-1000001-1	PLANET PIN						
210	12378-1004701-1	THRUST WASHER						
211	1231E-1004701-2	YOKE						
212	2040300-09010-0	C - RING						
213	1231D-1004701-1	DRIVE BUSHING						
214	12322-1000001-2	MOTER SHAFT BALANCER						
215	2041202-00010-0	NEEDLE BEARING						
216	1230Y-1004701-1	RATCHET HOUSING						
217	1230K-1000001-1	BUSHING						
218	12241-1000002-1	PLAENT CAGE ASSY						
220	1231B-1000001-1	PLANET GEAR						
2007.10.17								
								URW207A