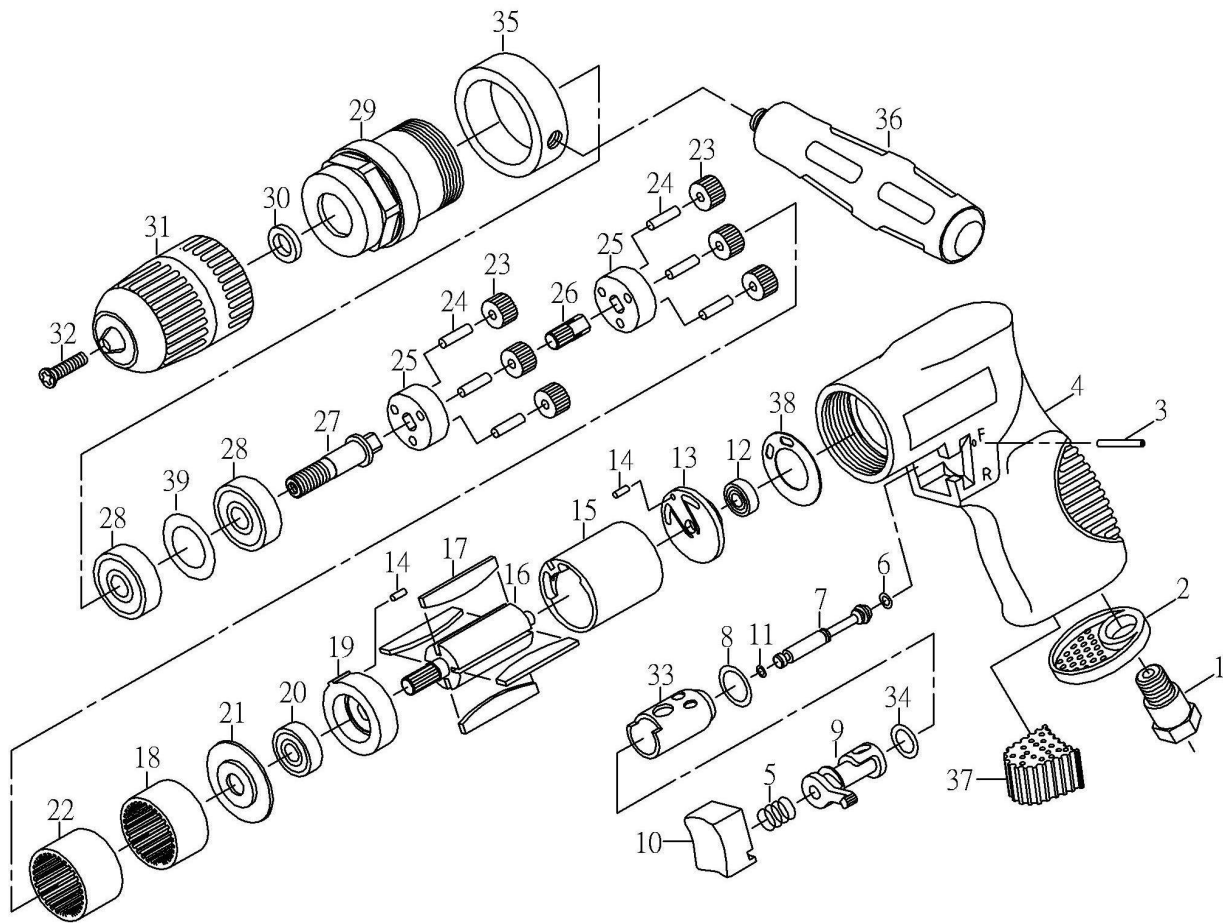


UDP12212 & UDP12212B 1/2" REVERSIBLE DRILL



NO	PARTS NO	DESCRIPTION	QTY	NO	PARTS NO	DESCRIPTION	QTY
01	20301	AIR INLET	1	21	21321	WASHER	1
02	20302	EXHAUST SLEEVE	1	22	20422-1	GEAR LINK	1
03	20303	PIN	1	23	70027	GEAR	6
04	ST21304ARK	HOUSING	1	24	20324	PIN	6
05	20305	SPRING	1	25	20325	GEAR PLATE	2
06	20306	O-RING	1	26	20426	GEAR SHAFT	1
07	20307	VALVE STEM	1	27	20326	SHAFT	1
08	ST25103	O-RING	1	28	24531A	BEARING (6200ZZ)	2
09	DL20309	REVERSE LEVER	1	29	ST20429	CLAMP NUT	1
10	20310	TRIGGER	1	30	21329	WASHER	1
11	OB-04	O-RING(3.5*1.4)	1	31	21431	1/2" KEYLESS	1
12	20312	BEARING (696ZZ)	1	32	20331.1	CHUCK SCREW	1
13	ST21313	REAR PLATE	1	33	21332-1A	BUSHING	1
14	70018	PIN (2.5*6)	2	34	50331	O-RING	1
15	ST21315	CYLINDER	1	35	ST20435	HANDLE LINK	1
16	21416	ROTOR	1	36	BT20433-11.5	HANDGRIP	1
17	21317	ROTOR BLADE	4	37	21304.2	MUFFLER	1
18	20422-2	GEAR LINK	1	38	21638	PACKING	1
19	ST21319	FRONT PLATE	1	39	21440	WASHER	1
20	21024	BEARING (608ZZ)	1				