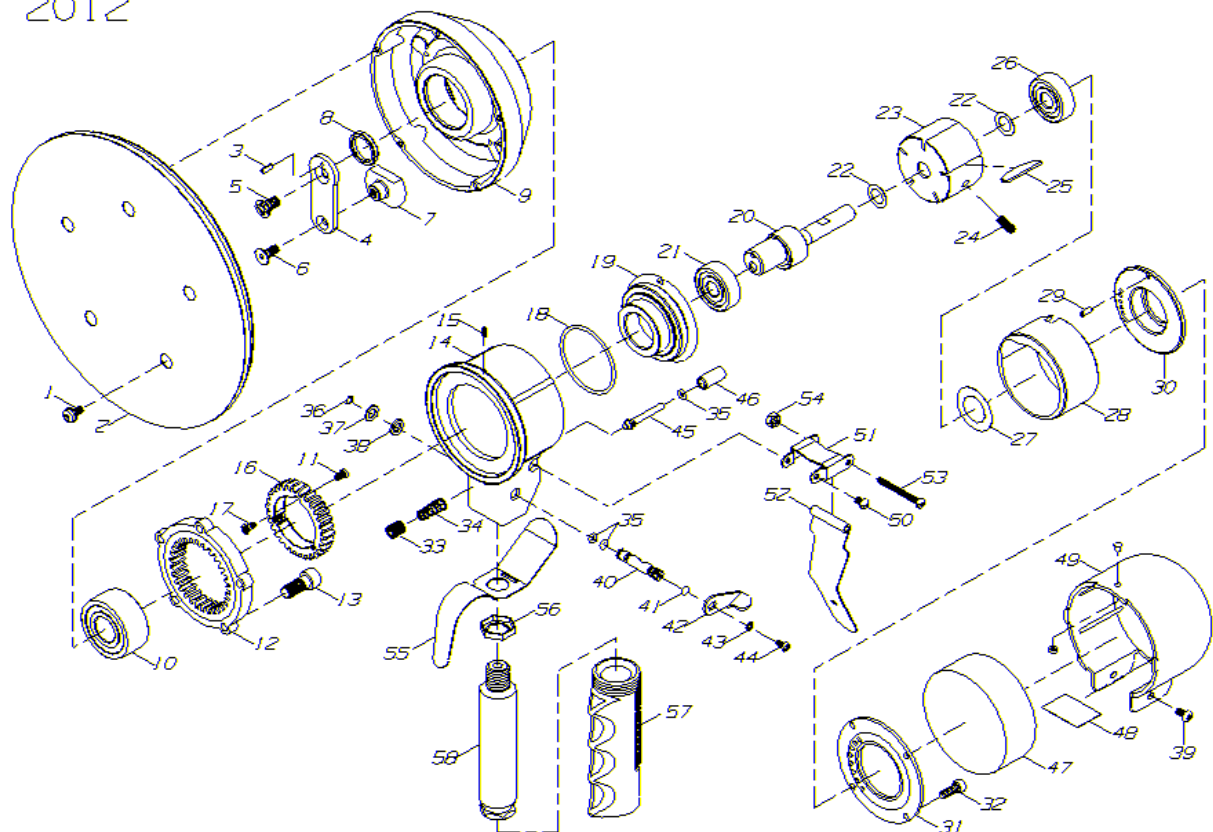


UOS2012 8" GEAR DRIVEN ORBITAL SANDER

2012



Version: 2007.05.06

Index No.	Part No.	Description	No. Req.	Index No.	Part No.	Description	No. Req.
1	101201	Screw	5	30	201230	Front End Plate	1
2	101202	8" Pad	1	31	101029	Motor Cover	1
3	P-0030-080	Pin	1	32	101031	Motor Screw	4
4	101204	Balance Shaft	1	33	101032	Screw	1
5	101205	Screw	1	34	101033	Spring	1
6	101206	Screw	1	35	O-0300-165	O-Ring	3
7	101207	Balance Nut	1	36	R-S056	Retaining Ring	1
8	101208	Balance Washer	1	37	101036	Washer	1
9	101209	Aluminum Gear Cover	1	38	101037	Flat Washer	1
10	5203-ZZ0A	Ball Bearing	1	39	101038	Cover Screw	2
11	740810	Screw	3	40	101040	Regulator	1
12	101212	Internal Gear	1	41	O-0250-150	O-Ring	1
13	101213	Screw	5	42	101042	Regulator Nut	1
14	201214	Motor Housing	1	43	101043	Washer	1
15	201215	Screw	1	44	101044	Screw	1
16	101218	Gear	1	45	101045	Valve Pin	1
17	101217	Screw	3	46	101046	Valve Bushing	1
18	O-4200-200	O-Ring	1	47	101047	Muffler	1
19	201219	Rear End Plate	1	48	101048	Muffler Element	1
20	201220	Rotor Shaft	1	49	101049	Plastic Cover	1
21	6200-ZZ0A	Ball Bearing	1	50	101050	Screw	2
22	101020	Shim	2	51	101051	Bracket	1
23	101021	Rotor	1	52	101052	Lever	1
24	101022	Screw	1	53	101053	Screw	1
25	101023	Rotor Blade	5	54	101054	Nut	1
26	6200-Z00A	Ball Bearing	1	55	201255	Lever Bracket	1
27	101025	Washer	1	56	101056	Nut	1
28	201228	Cylinder	1	57	101057	Rubber Hose	1
29	101027	Pin	1	58	101058	Steel Handle	1